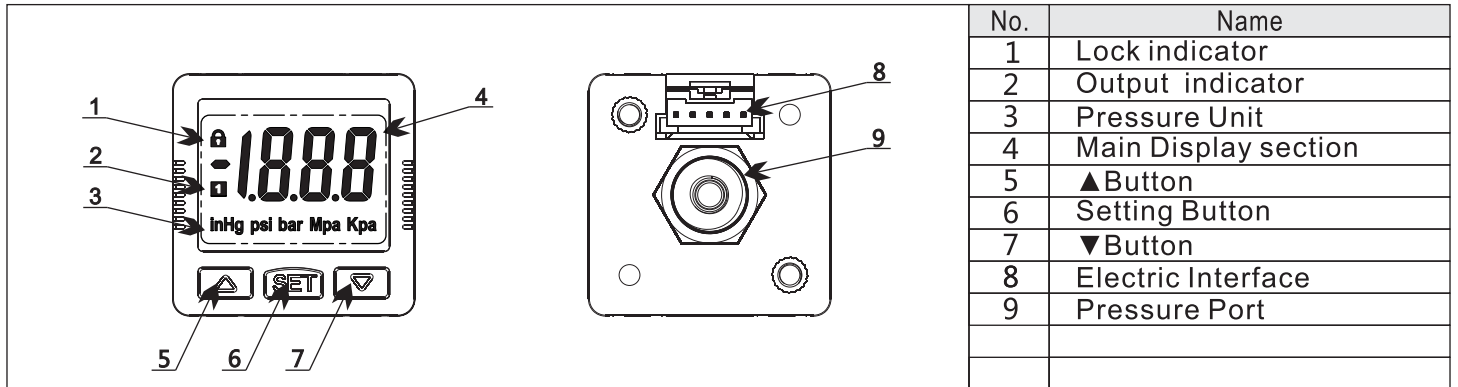


Panel

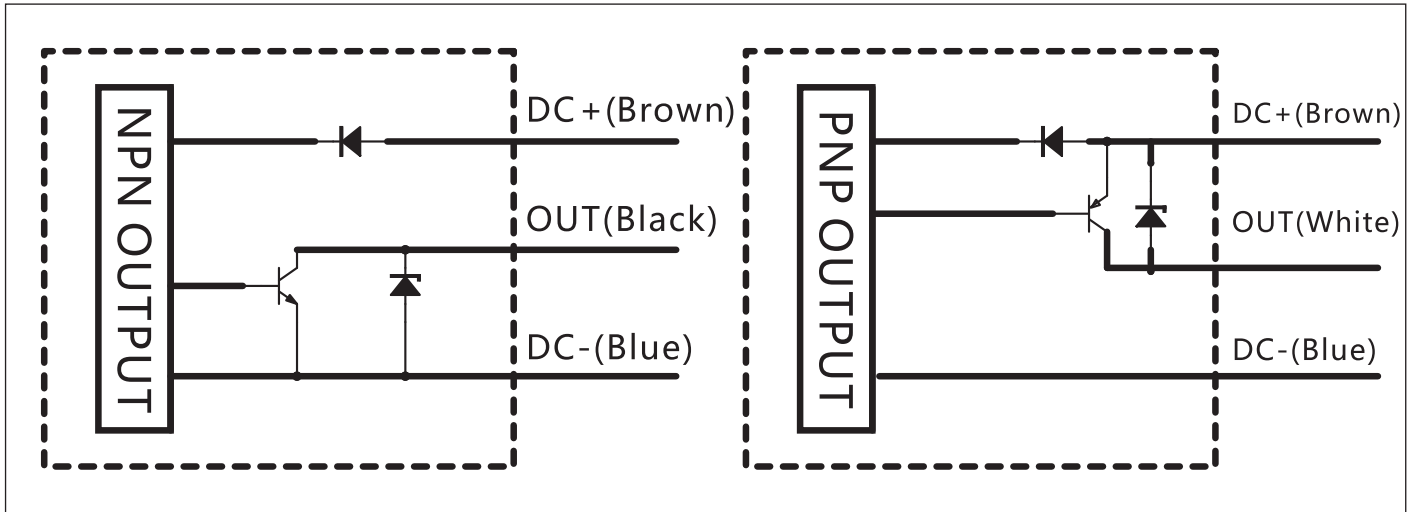


No.	Name
1	Lock indicator
2	Output indicator
3	Pressure Unit
4	Main Display section
5	▲Button
6	Setting Button
7	▼Button
8	Electric Interface
9	Pressure Port

Specifications

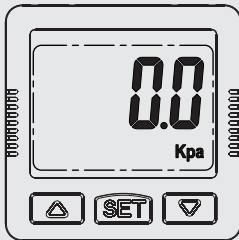
Model		SCD-020 (Compound)	SPD-020 (Positive)
Pressure Measure	Range of measure	-100kPa~100kPa	-0.100MPa~1.000MPa
	Setting range	-100kPa~100kPa	-0.100MPa~1.000MPa
	Withstand pressure	500kPa	1.500MPa
	Pressure type	Non-flammable, non-corrosive gas, gauge pressure measurement	
	Measure accuracy	≤±2%F.S.(Ambient temperature 25°C)	
	Temperature error	≤±3%F.S.(Temperature range 0~50°C)	
	Measure pattern	Easy mode Hysteresis mode Compare mode of upper and lower bounds	
Port size		External R1/8, NPT1/8, G1/8 option, internal thread M5	
Display	Status display	4-digital measurement value, unit display, output status display	
	Display model	Adjustable backlight, 4 groups of display models	
Voltage range		12~24VDC ±10%	
power consumption		40mA Max(non-load)	
Output signal	Transistor output	NPN open-collector output Output current:80mA MAX Voltage drop:≤1V	PNP open-collector output Output current:80mA MAX Voltage drop:≤1V
	Response time	Adjustable:2.5ms,20ms,100ms,500ms,1000ms,2000ms	
	Short-circuit protection	Yes	
Environmental resistance	IP level	IP40	
	Ambient temperature	Operating temperature 0~50°C, storage temperature -20~60°C	
	Ambient humidity	Operating humidity 35~80%RH	
	Insulation voltage	1000VAC 1min	
	Insulation resistance	≥50MΩ(500VDC)	
	Shock	Max 100m/s ² , 3 times each in 6 directions of X.Y and Z	
	vibration	Amplitude 1.5mm. 10HZ~500HZ, 2 hours each direction of X.Y and Z	

Output circuit wiring diagrams



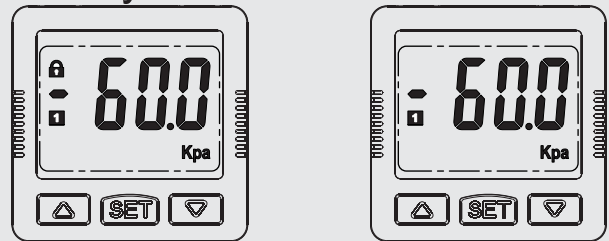
Quick setting

● Zero point setting



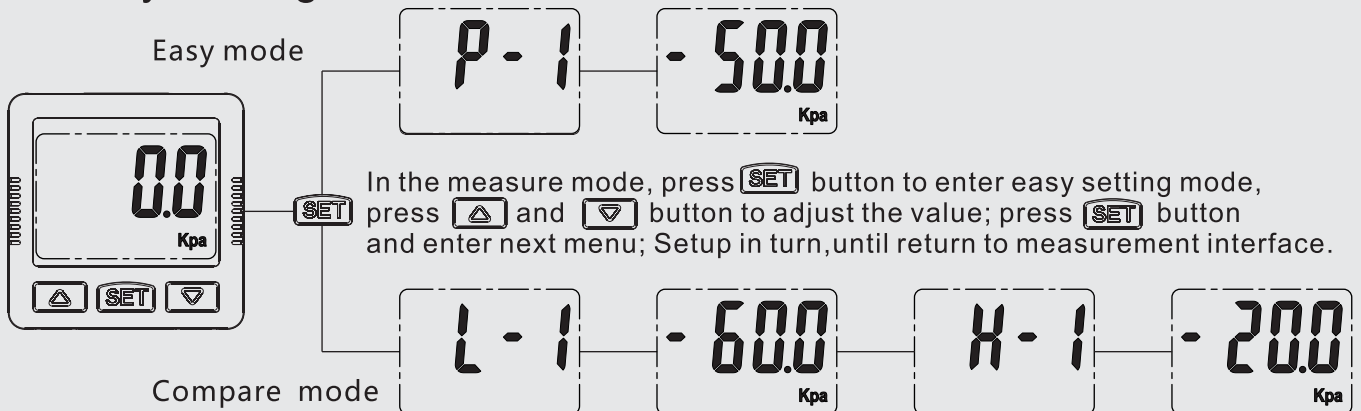
In the measure mode, press + button at the same time, until display "0", release the button;
PS: reset range: +/-10%F.S.

● Key lock and unlock



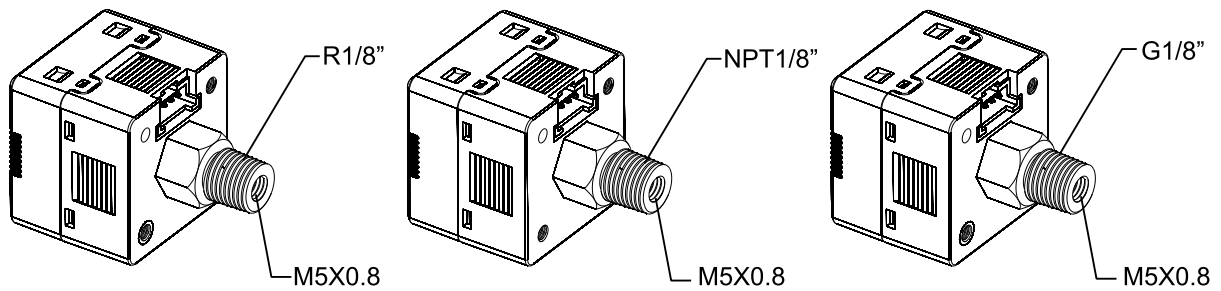
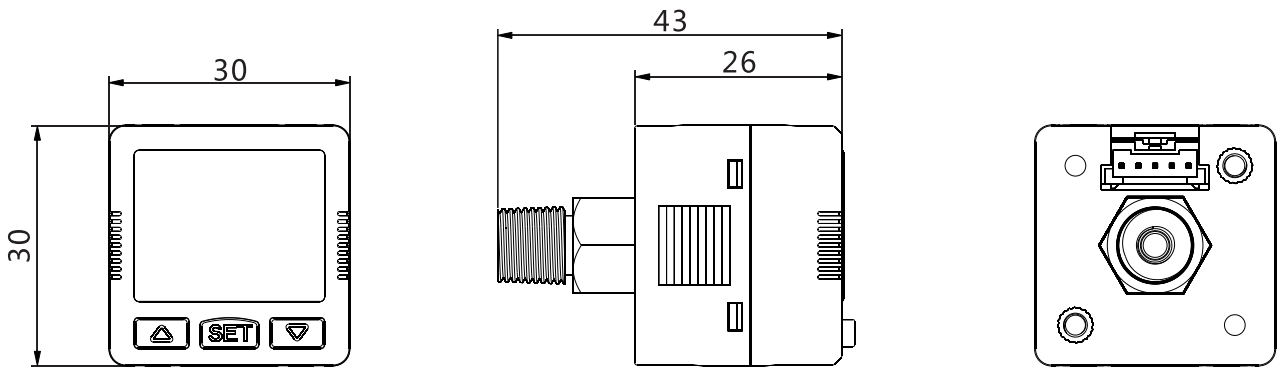
Lock: in the measure mode, press + + button at the same time until "LOCK ON" shown, release the buttons;
Unlock: in the measure mode, press + + button at the same time until "LOCK OFF" shown, release the buttons.

● Easy setting function



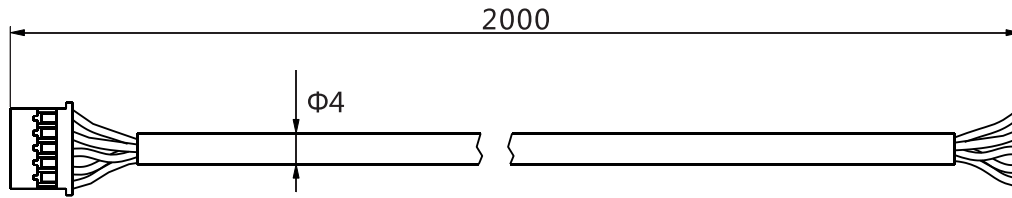
Mounting dimensions (unit:mm)

- Overall dimensions & connection port



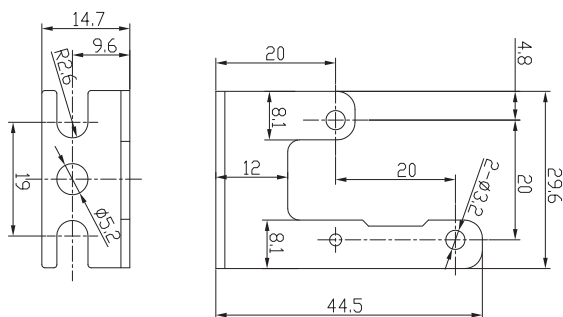
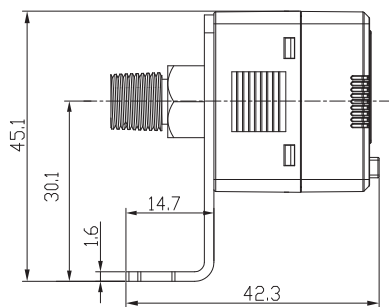
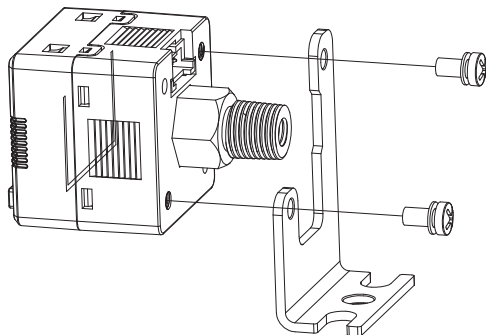
Mounting dimensions (unit:mm)

● Wire dimensions

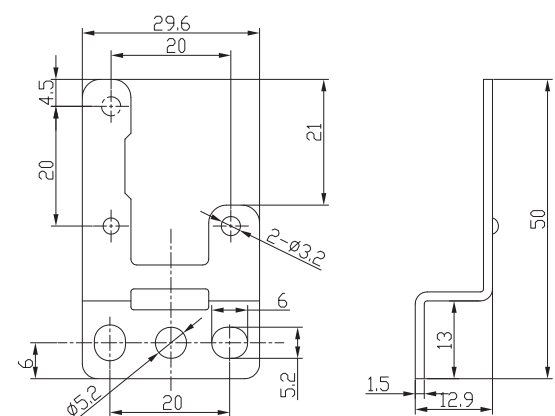
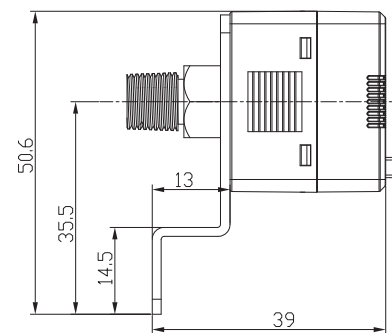
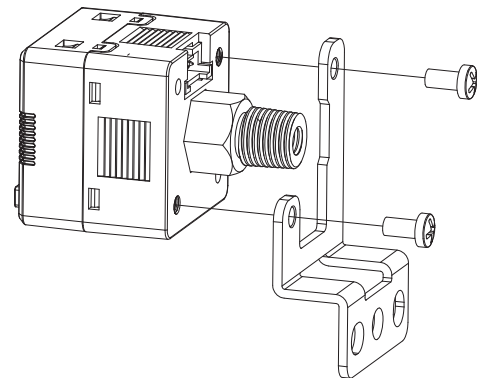


● Mounting bracket

L Bracket

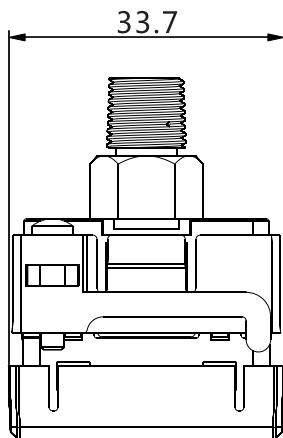
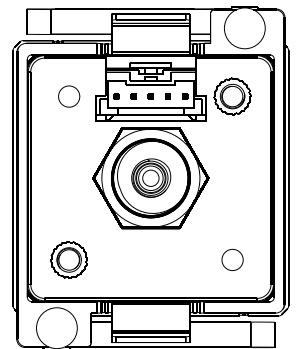
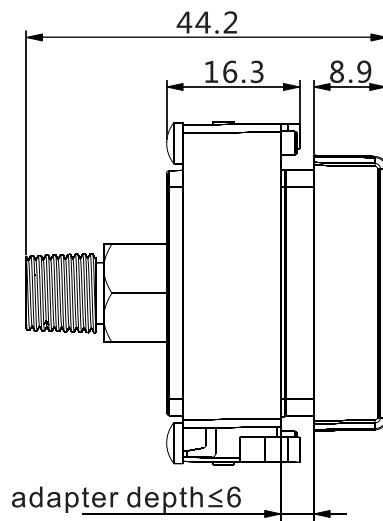
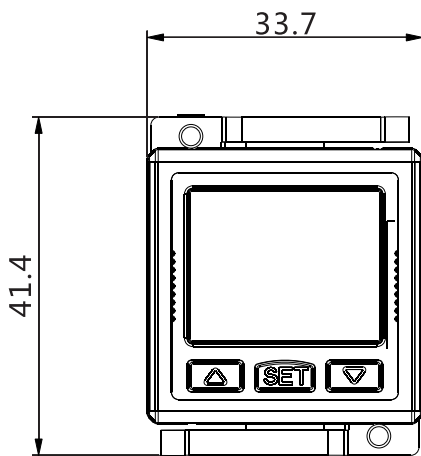
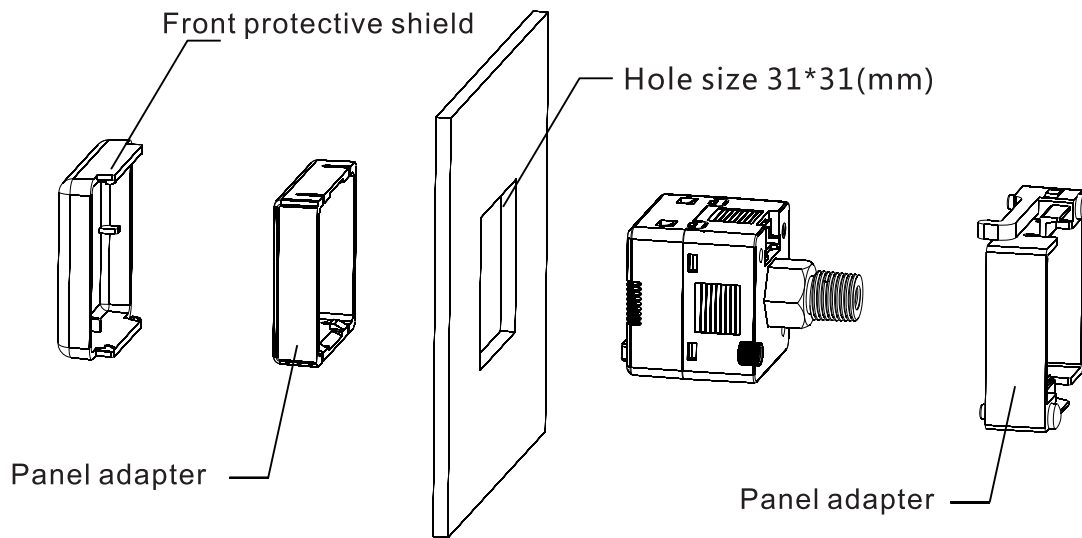


S Bracket



Mounting dimensions (unit:mm)

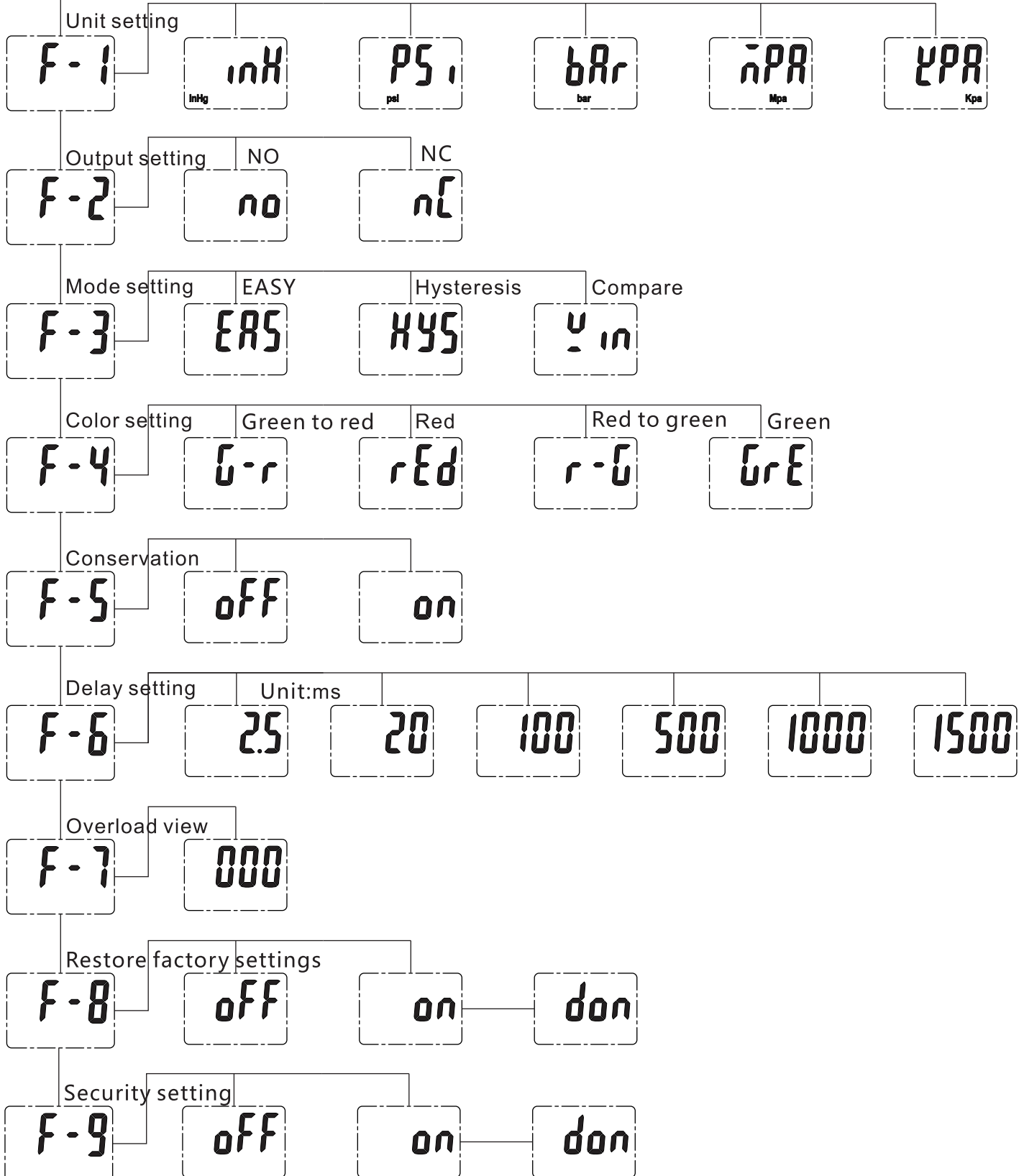
- Panel mounting:M



Operation instruction (Standard setting)



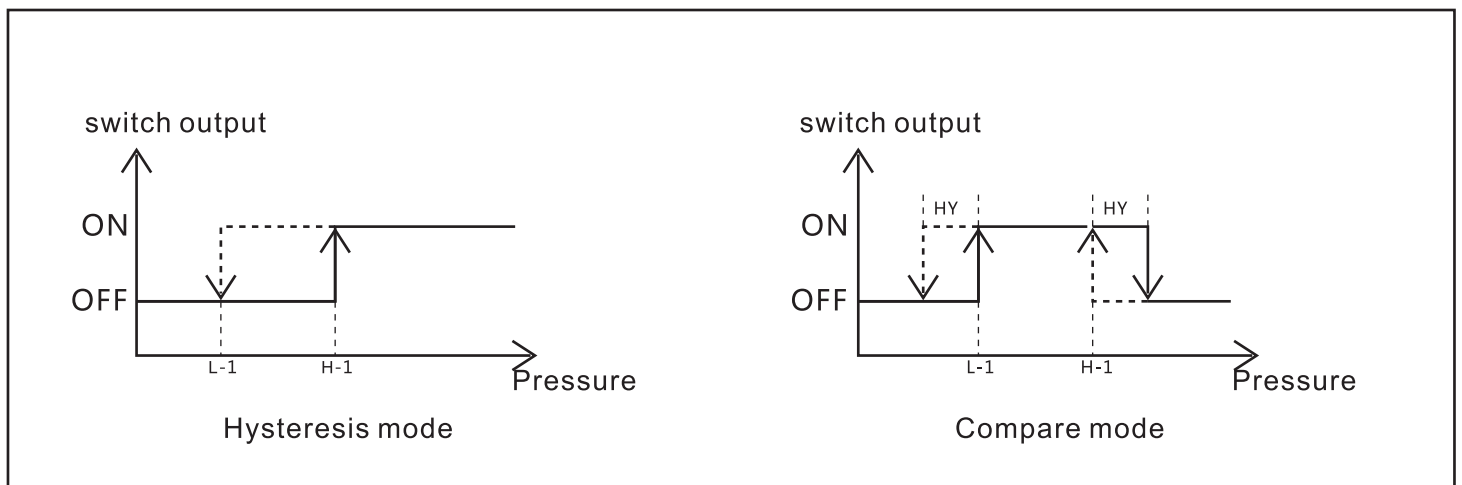
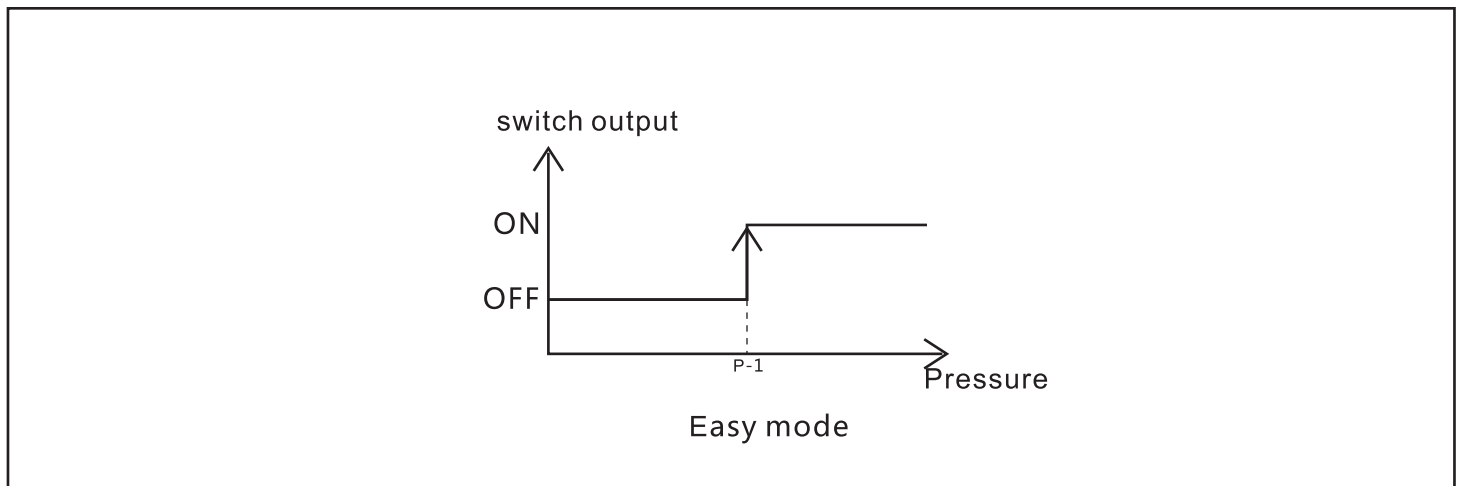
In the measure mode, press **SET** button 2S to enter standard setting interface; press **▲** and **▼** button to switch the menu, press **SET** button to enter the specific setting.



Error code description

Error code	Problem	Solution
E-1	Exceed zero point reset range	Zero point reset range: +/-10%F.S do not over value setting
E-2	Large output current	Please check the output wire short circuit, over load or others
E-4	Incorrect pressure setting	L-1 < H-1
E-5	Storage data error	Chip error need maintain
HHH	Exceed pressure measure	adjust the pressure to the range

Output function diagram



Pressure unit conversion table

From \ To	Pa	kPa	MPa	kgf/cm ²	mmHg	psi	bar	inHg
1Pa	1	0.001	0.000001	/	/	/	/	/
1kPa	1000	1	0.001	0.010197	7.500616	0.145038	0.01	0.2953
1MPa	1000000	1000	1	10.197	7500.616	145.038	10	295.2998
1kgf/cm ²	98066.5	98.0665	0.098066	1	735.559	14.2233	0.980665	28.95979
1mmHg	133.32	0.13332	0.000133	0.001359	1	0.019336	0.001333	0.03937
1psi	6895	6.985	0.006895	0.07031	51.7157	1	0.06895	2.036074
1bar	100000	100	0.1	1.01972	750.062	14.5038	1	29.52998
1inHg	3386.388	3.386388	0.003386	0.034530	25.4	0.491141	0.033863	1



Caution

1. Only used for air pressure measurement, do not use corrosive or flammable gas.
2. Avoid to be used in high temperature and high humidity.
3. Before installation or removal, please make sure pressure source has been stopped, the output wire is disconnected with controller, to ensure safety.
4. When installation please use the part that meet the pressure connection port and sealing is good, to avoid measure error or gas leakage and other issues.
5. Before connecting to the power, make sure the wiring is correct, higher voltage input will damage the pressure switch